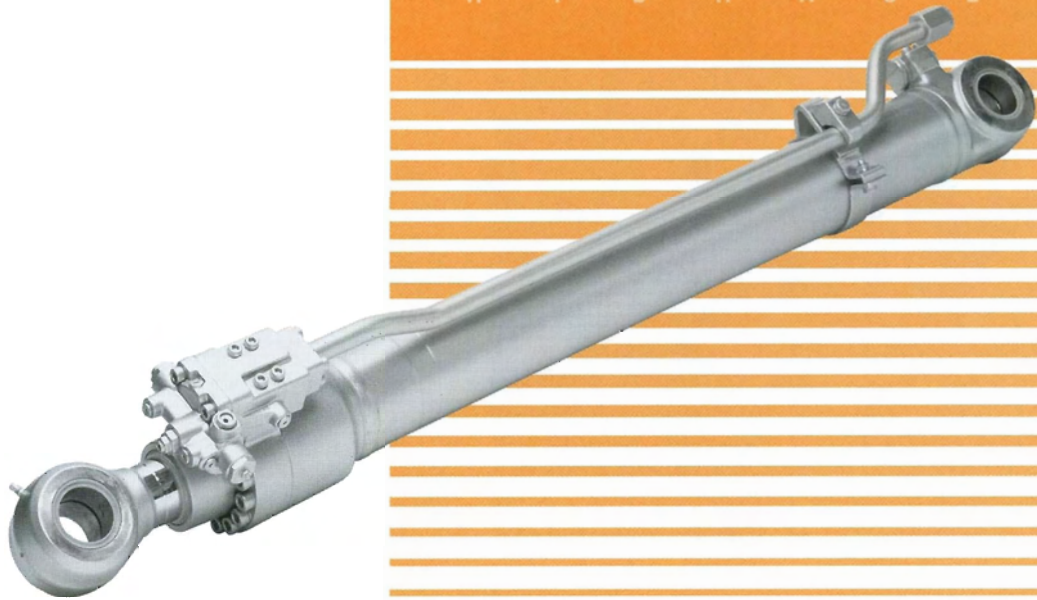


KYB

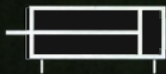
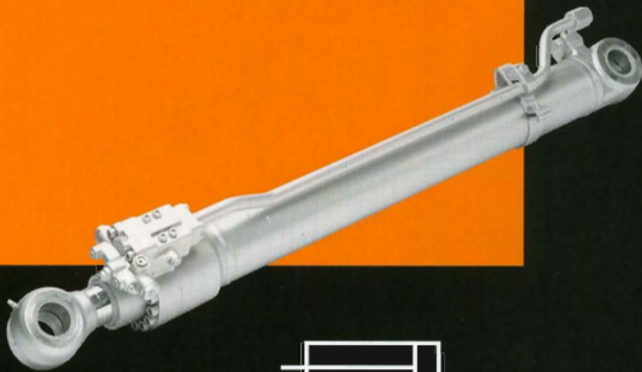
Our Precision, Your Advantage

H Y D R A U L I C S
H Y D R A U L I C S
H Y D R A U L I C S
H Y D R A U L I C S
H Y D R A U L I C S
H Y D R A U L I C S
H Y D R A U L I C S
H Y D R A U L I C S
H Y D R A U L I C S
H Y D R A U L I C S

HYDRAULIC CYLINDER
KCH SERIES



CYLINDER KCH SERIES



GENERAL

A high-durable high-pressure cylinder designed for excavators.

Maximum pressure : 34.3MPa

Temperature Range : $-20^{\circ}\text{C} \sim 100^{\circ}\text{C}$

(Cold Area : $-40^{\circ}\text{C} \sim 90^{\circ}\text{C}$)

FEATURES

KCH Series cylinders are designed on the compact, light-weight, and highly reliable cylinder concept, and produced with a full range of technical supports which include strength and fatigue proof design engineering based on load frequency analyses, optimal tube fabrication, advanced welding method and ultrasonic inspection.

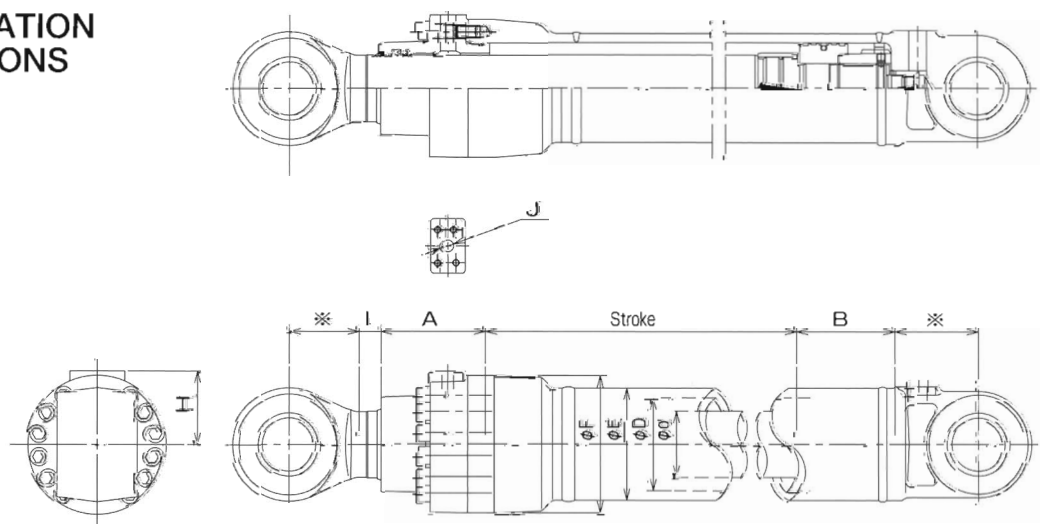
The house-made unique KYB seal system will show its excellent performance particularly in heavy duty work environments by rejecting sands and dusts and by optimizing the oil lubrication for piston rods.

The KYB cylinder tubes house-formed in proper strength and dimensions are processed for inner surface skiving and roller-burnishing to ensure enhanced stroke operations.

The induction-hardened KYB piston rods are coated with hard chrome plating or nickel-hard chrome plating to be protected from rust-corrosion, stroke-wear and surface flaws.

If desired, various types of valve may be adapted such as for slow returning, counter balancing and emergency shutdown and also a built-in type cushioning device is available to reduce the stroke end shocks.

INSTALLATION DIMENSIONS



※ Consult KYB

SPECIFICATIONS

Unit:mm

D	E		d	F	A	I	H	B	J	Max. Stroke
	Min.	Max.								
95	112	114	65,70	155	141	24	81.5	100	1/2	1700
100	118	121	65,70,75	161	150	24	85	100	3/4	1700
105	123	126	70,75	161	150	24	85	103	3/4	1700
110	130	132	70,75,80	168	150	24	92	112	3/4	1700
115	136	139	75,80,85	181	150	24	98	118	3/4	1700
120	140	144	80,85	181	150	24	98	122	3/4	1700
125	145	150	80,85,90	188	157	24	102	123	1	1950
130	152	156	85,90,95	197	157	24	105	131	1	1950
135	160	162	90,95,100	207	162	24	110	131	1	1950
140	162	169	90,95,100	207	162	24	110	133	1	1950
145	169	176	95,100	220	162	24	116	137	1	1950
			105			33				
150	176	180	100	227	172	24	120	138	1-1/4	1950
			105			33				
			110			35				
160	180	195	105,110,115	244	185	35	130	141	1-1/4	2800
			120			37				
170	195	206	110,115	265	187	35	140	144	1-1/4	2800
			120			37				
180	200	218	115	280	195	35	148	160	1-1/2	2800
			120			37				
			130			41				
190	217	232	130	295	205	41	155	160	1-1/2	2800
			140			45				
200	225	244	130	317	212	41	166	187	1-1/2	2800
			140			45				
			150			49				
215	247	273	130,140	332	215	45	174	187	1-1/2	2800
			150			49				
230	264	292	140,150	356	217	49	186	211	1-1/2	2800
			160			53				



CYLINDER KCH SERIES

MODEL INFORMATION

KCH - 00 - 00 - 00

Stroke [mm]

Rod diameter [mm]

Bore size [mm]

KYB Cylinder particularly Designed for
High-Pressure and Heavy-duty Excavators

KYB Corporation

[Sales]

Head Office : World Trade Center Bldg., 2-4-1, Hamamatsu-cho, Minato-ku,
Tokyo 105-6111 Japan

Overseas Sales Dept. TEL: +81-3-3435-3581 FAX: +81-3-3436-2907

[Overseas Sales]

U.S. : KYB AMERICA LLC

140 North Mitchell Ct., Addison, IL 60101, U.S.A.

TEL: +1-630-620-5555 FAX: +1-630-620-8133

www.kyb.com

Europe : KYB Corporation Europe Branch

Kimpler Strasse 336, D-47807 Krefeld, Germany

TEL: +49-2151-93143-50 FAX: +49-2151-93143-30

<http://www.kyb.co.jp>



Recyclable soybean oil ink is used
for resource conservation

· Products may be improved and therefore specifications are subject to change without notice.
· When using our products please follow the instructions in the manual.

Printed in Japan CAT, No.31762 10601 